

KEYED SITE CONSTRUCTION NOTES:

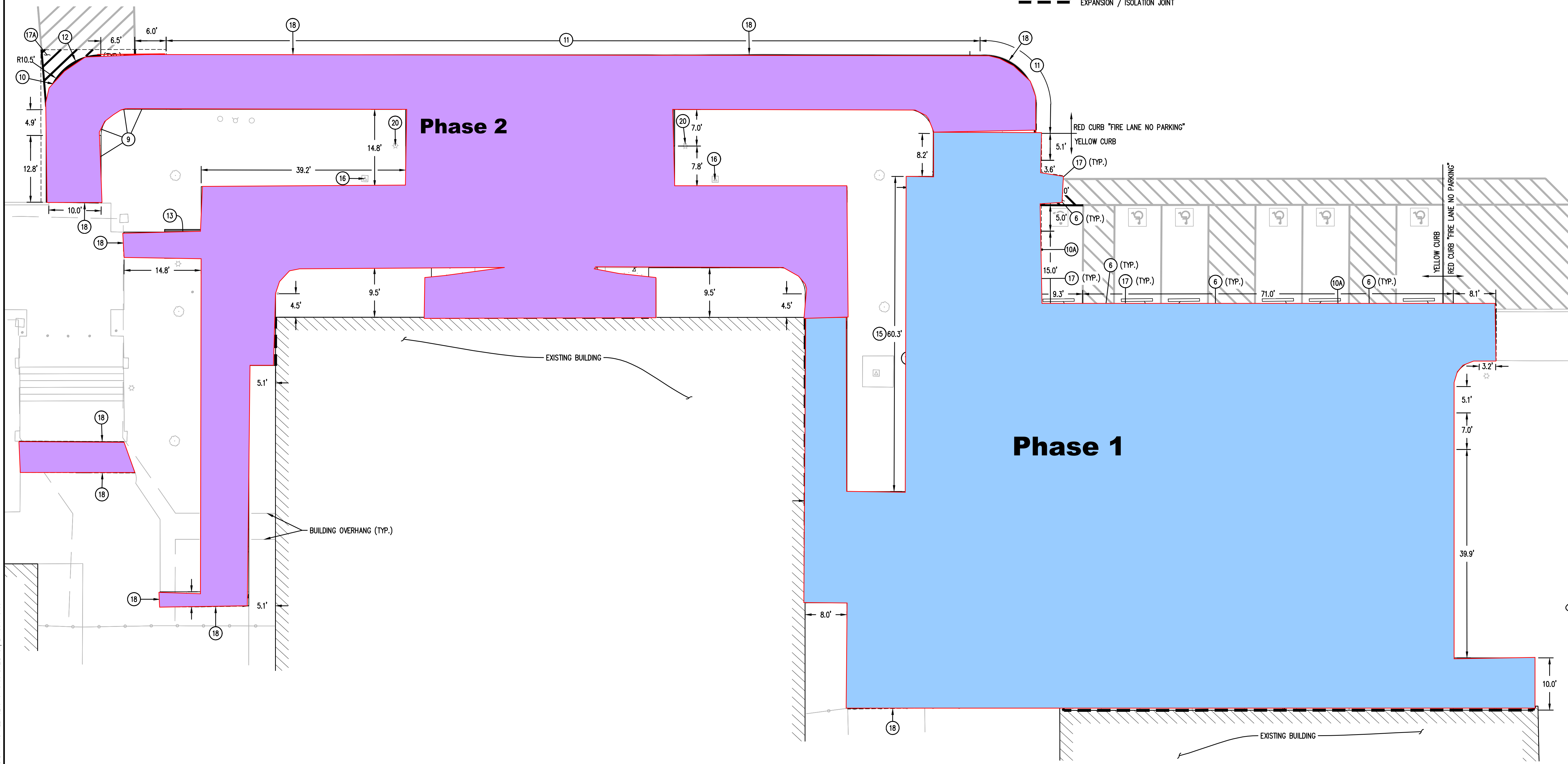
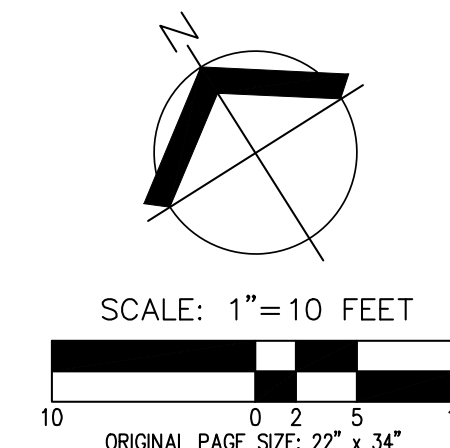
1. ADJUST EXISTING MANHOLE COVER TO FINISH GRADE
2. RE-PAINT AND RE-INSTALL EXISTING BIKE RACK. REPLACE HARDWARE AS NEEDED. BIKE RACK SHALL BE INSTALLED PARALLEL TO THE EXISTING WALLS
3. IF REMOVED DURING DEMOLITION, RE-PAINT AND RE-INSTALL EXISTING WHEEL STOP PER DETAIL 6/C500
4. RE-INSTALL EXISTING PARKING SIGNAGE ON NEW POST PER DETAILS 2 & 3/C501
- 4A. RE-INSTALL VAN ACCESSIBLE SIGN
5. RE-INSTALL EXISTING LOADING ZONE SIGN ON NEW POST SIMILAR TO DETAIL 3/C501
6. RE-STRIPE LINES IMPACTED BY THE CONSTRUCTION ACTIVITIES TO MATCH EXISTING SIMILAR TO DETAIL 1/C501
7. INSTALL DETECTABLE WARNING SURFACE PER DETAILS 9/C500 & 1/C501
8. CONSTRUCT ADA RAMP PER DETAILS 9/C500 & 10/C500
9. CONSTRUCT CURB RETURN WITH 10' RADIUS ADA CAST-IN-PLACE DETECTABLE WARNING PANELS. CURB AND SIDEWALK SHALL BE POURED MONOLITHICALLY
10. PAINT CURB RED WITH "FIRE LANE NO PARKING" TO MATCH EXISTING
- 10A. PAINT CURB YELLOW TO MATCH EXISTING
11. RE-PAINT EXISTING CURB WITH "FIRE LANE NO PARKING" TO MATCH EXISTING
12. CONSTRUCT TYPE C CURB PER DETAIL 5/C500. SEE GRADING PLAN FOR CURB EXPOSURE
13. CONSTRUCT STAIR AND HANDRAIL PER DETAILS 7/C500 & 8/C500
14. CONSTRUCT NEW CONCRETE PER DETAILS 1, 2, 3, & 4/C500. SCORE PATTERN AS SHOWN ON PLAN. CONTRACTOR SHALL SUBMIT JOINT LAYOUT FOR REVIEW AND APPROVAL PRIOR TO PLACING CONCRETE
- 14A. CONSTRUCT MONOLITHIC CURB AND SIDEWALK PER DETAIL 5/C501
15. NEW CONCRETE RETAINING WALL, SEE STRUCTURAL DRAWINGS
16. SET EXISTING JUNCTION BOX TO FINISH GRADE
17. RESTORE LIGHT DUTY PAVEMENT PER DETAIL 4/C501
- 17A. RESTORE HEAVY DUTY PAVEMENT PER DETAIL 4/C501
18. DRILL AND DOWEL INTO EXISTING CURB AND SIDEWALK AS SHOWN ON DETAIL 4/C500. FOR EXISTING CURB DRILL 3" INTO CURB
19. REINSTALL MONUMENT, COORDINATE WITH SCHOOL DISTRICT ON FINAL LOCATION
20. ADJUST LIGHT POLE HEAD TO ILLUMINATE NEW CONCRETE STAIRS
21. SET SCHOOL BOLLARD AND LIGHT TO FINISH GRADE
22. CONSTRUCT NEW TYPE C CURB PER DETAIL 5/C500, SEE GRADING PLAN FOR CURB EXPOSURE

NOTE:

1. ALL CONTRACTION JOINTS SHALL BE EVENLY SPACES AS GENERALLY SHOWN ON DRAWINGS

LEGEND:

- CONTRACTION JOINT
- [Symbol] — EXPANSION / ISOLATION JOINT



AKS DRAWING FILE: 6219-01 C100 SITE/DWG | LAYOUT: C100

AKS
 AKS ENGINEERING & FORESTRY, LLC
 12965 SW HERMAN RD, STE 100
 PORTLAND, OR 97262
 503.545.1511
 WWW.AKS-ENG.COM

HILLSBORO HIGH SCHOOL
SITE CONCRETE REPAIRS
 HILLSBORO OREGON
 WASHINGTON COUNTY TAX MAP 1S 2W 08
 TAX LOT 900

SITE PLAN

DESIGNED BY: TMI/SN
 DRAWN BY: TMI/SN
 MANAGED BY: SN
 CHECKED BY: CEG
 DATE: 04/30/2021

REGISTERED PROFESSIONAL
 ENGINEER
 OREGON
 SEPT. 14, 1997
 CHARLES EDWARD GREY
 RENEWS: JUNE 30, 2021

JOB NUMBER
6219-01
 SHEET
C100